

CW-C6030 Series / CW-C6530 Series

ColorWorks C6030A/ColorWorks C6030P

ColorWorks C6530A/ColorWorks C6530P

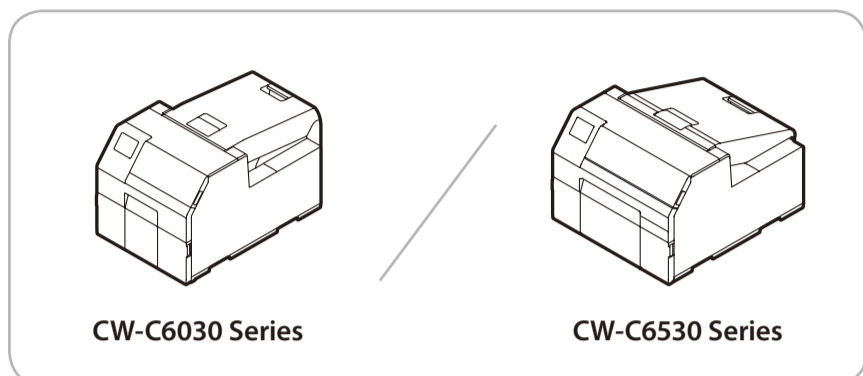
EPSON[®]
EXCEED YOUR VISION

入门说明 Start Here



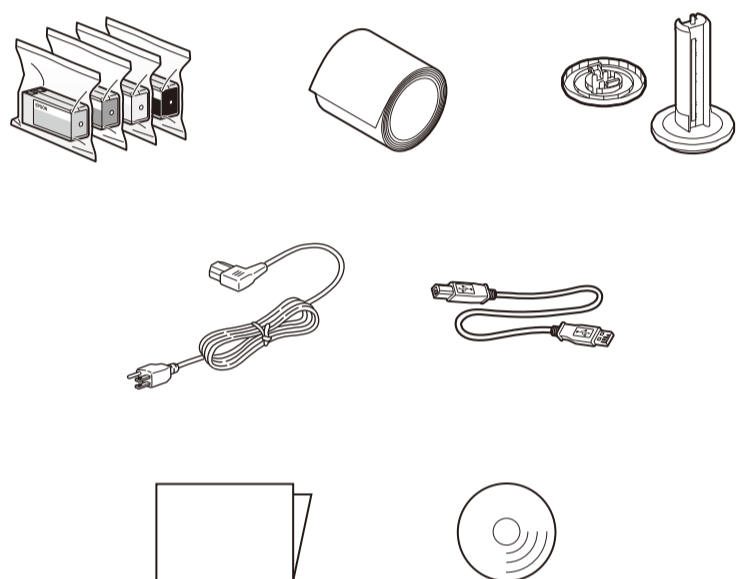
414030901

1 开箱。 Unpack.

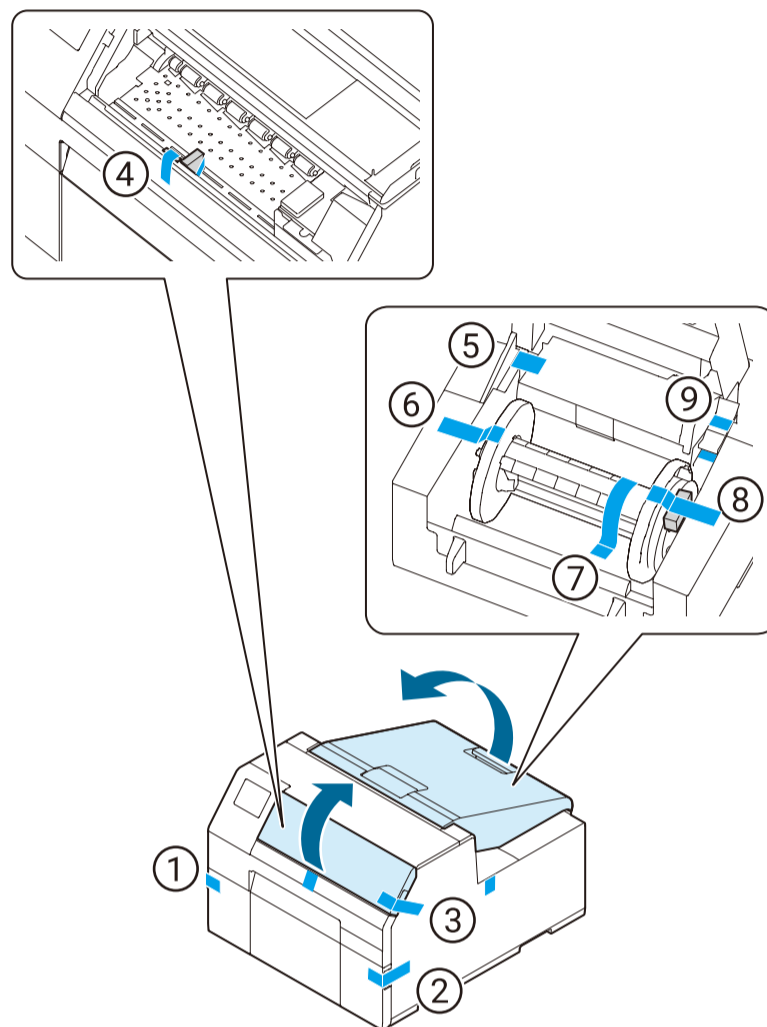


CW-C6030 Series

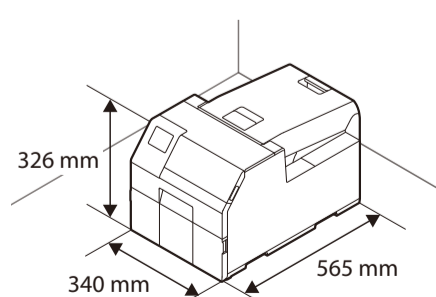
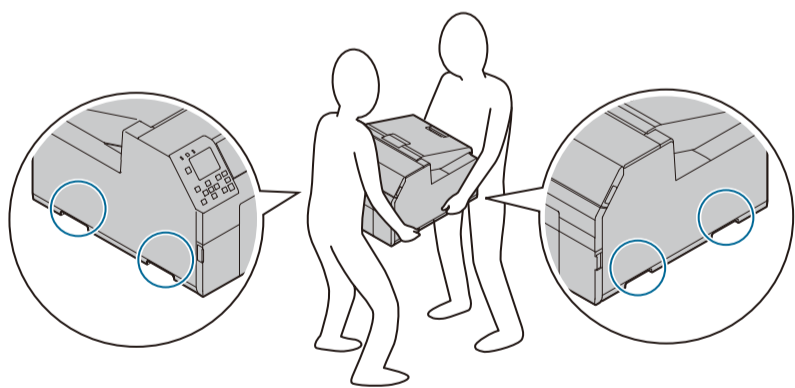
CW-C6530 Series



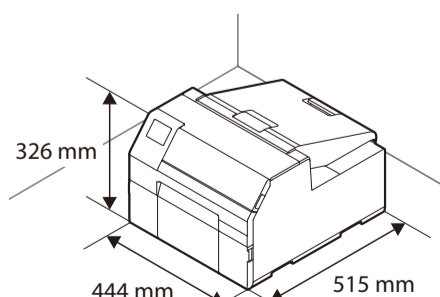
2 拆除所有保护材料。确保拆除产品内部的材料。 Remove all the protective materials. Make sure to remove the materials inside the product.



3 将打印机放置于平坦表面上。确保由两人搬运打印机，如下所示握持打印机。 Place the printer on a flat surface. Make sure to carry the printer with two people, holding it as shown.

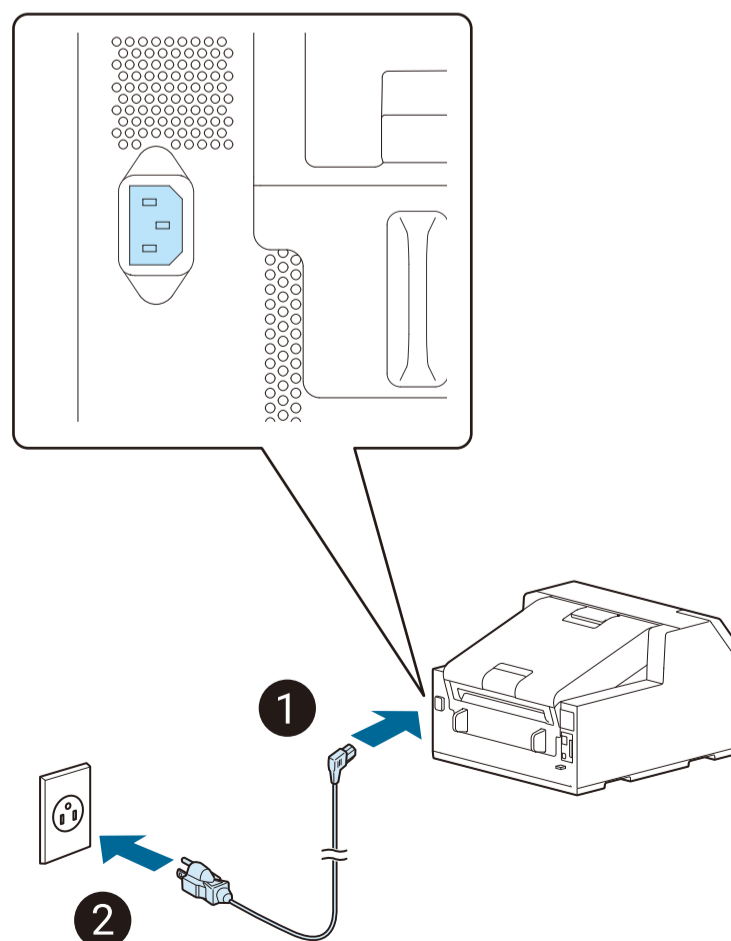


CW-C6030 Series



CW-C6530 Series

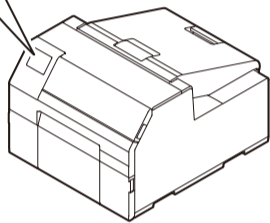
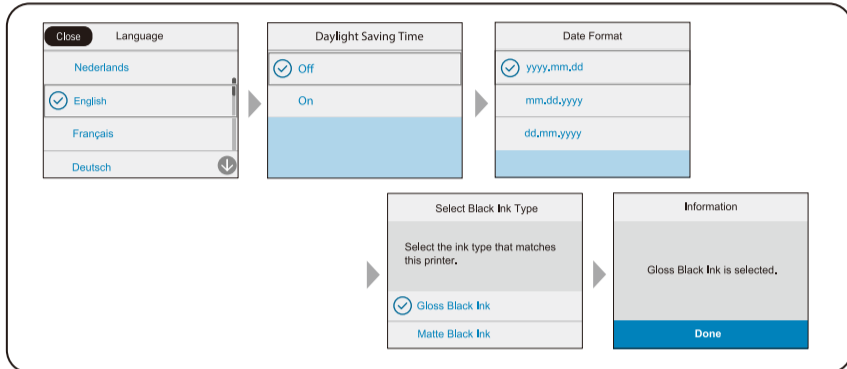
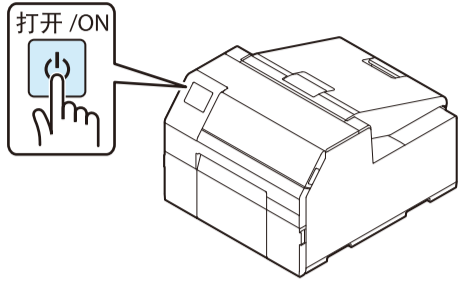
4 将电源线连接到打印机，然后将其插入插座。确保将插头完全插入。 Connect the power cable to the printer, and then plug it into an outlet. Make sure to push the plugs all the way.



5

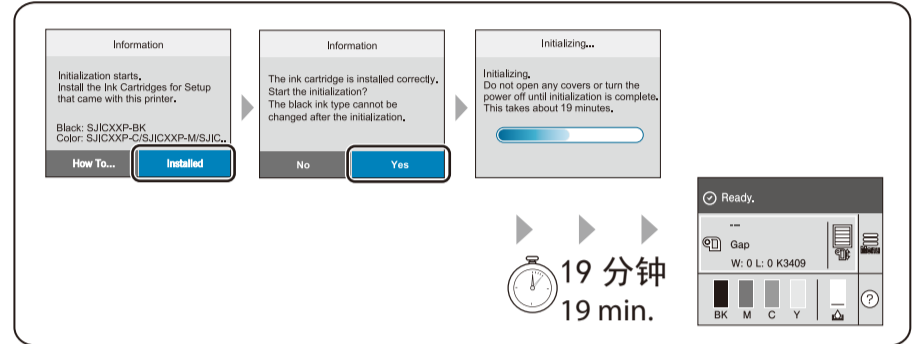
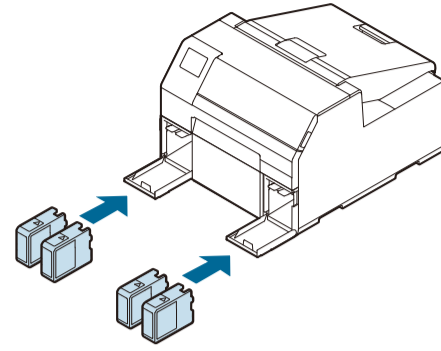
按住 ⏻ (电源) 按钮直至 (电源) 🔌 LED 指示灯亮起, 以打开打印机电源。设置语言和日期 / 时间, 然后选择使用的黑色墨水类型。

Hold down the ⏻ (power) button until the 🔌 (power) LED lights up to turn on the printer.
Set language and date/time, then select which type of black ink you use.

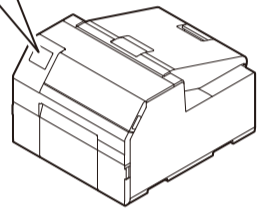


6

安装墨盒, 然后等待直至注墨完成并显示确认屏幕。
Install the ink cartridges following the on-screen instructions, and then wait until ink charging is finished and confirmation screen is displayed.



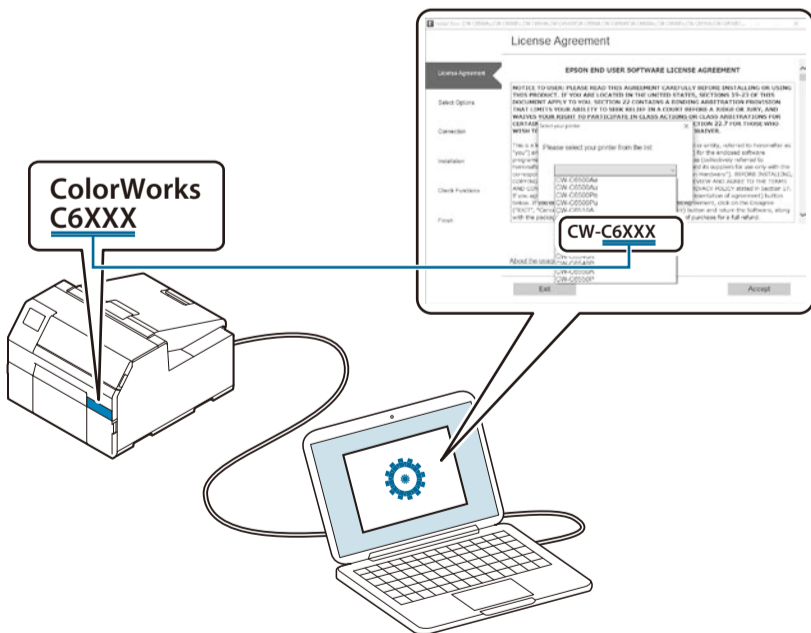
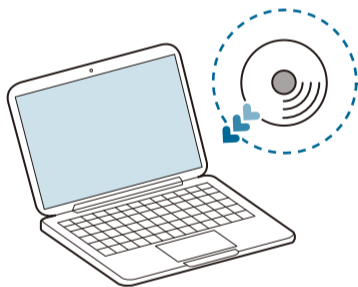
⚠ 注意 / Caution
开始注墨后, 则无法更改黑色墨水类型。
Once you start charging ink, you cannot change the black ink type.



7

将 CD 插入计算机。遵循屏幕指示安装打印机驱动程序并连接打印机。

Insert the CD in the computer. Follow the on-screen instructions to install the printer driver and connect to the printer.

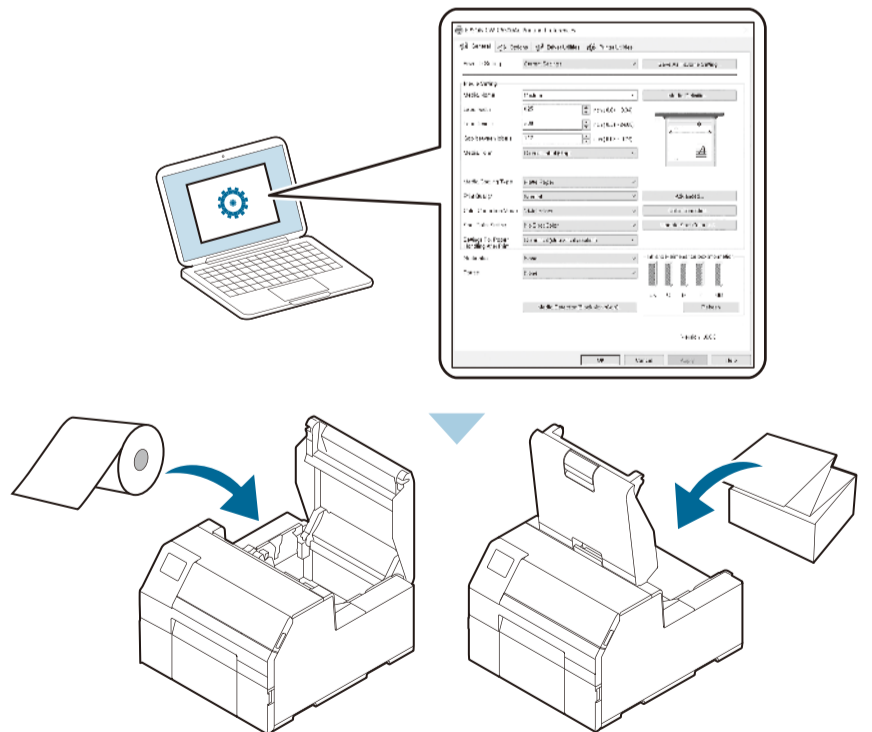


8

在打印机驱动程序中进行纸张设置, 然后在打印机上装入纸张。请查看视频 (QR 码) 或 CD 中的用户指南。
Make the paper settings on the printer driver, and then load paper on the printer.
See the video (QR code) or the User's Guide in the CD.



https://support.epson.net/p_doc/790/



www.epson-biz.com/